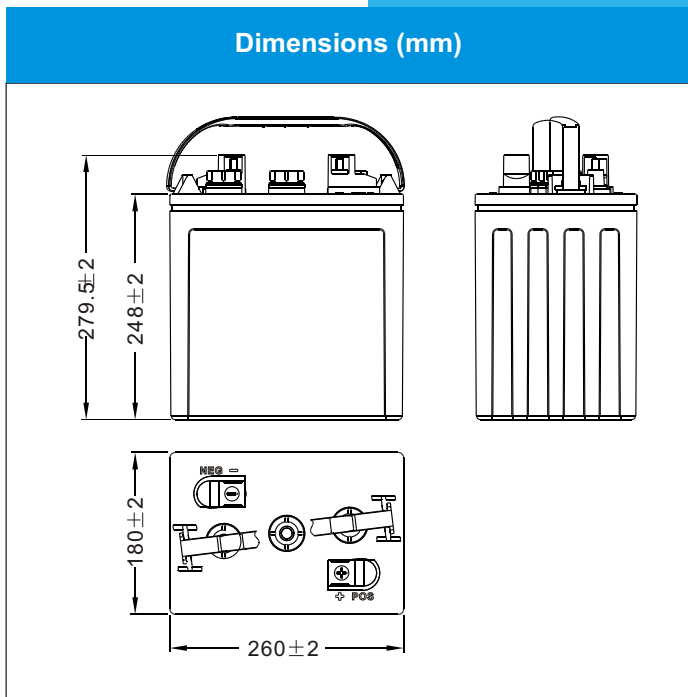




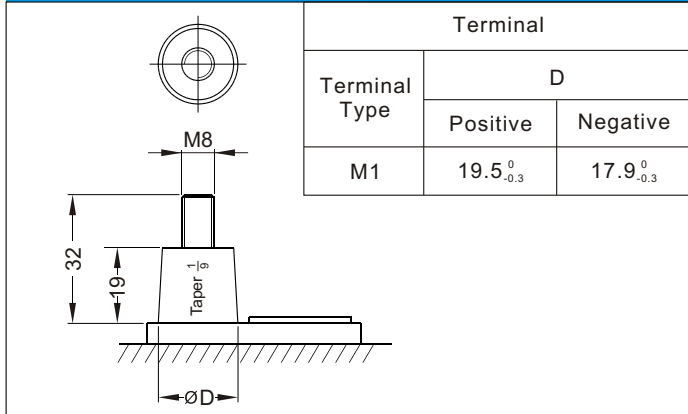
GTP6215 16V215I



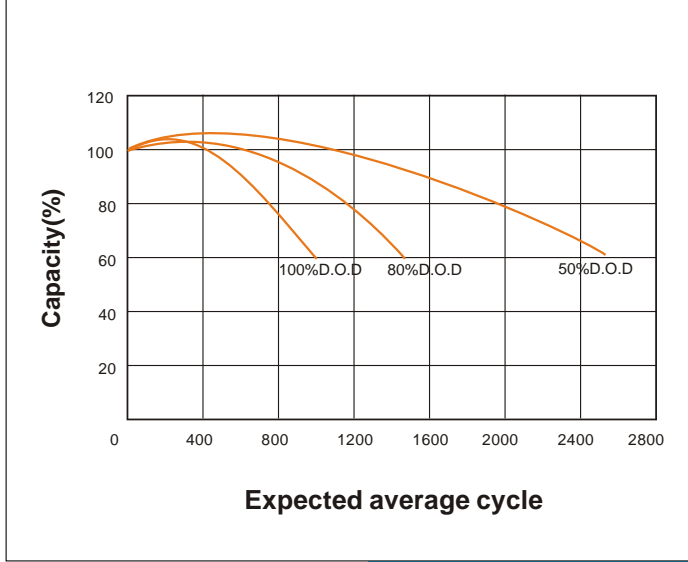
Physical Specification (mm)

Nominal Voltage		6V
Nominal Capacity(100HR)		215Ah
Nominal Capacity(5HR)		150Ah
Dimension	Length	260 ± 2mm(10.24inches)
	Width	180 ± 2mm(7.09inches)
	Container Height	248 ± 2mm(9.76inches)
	Total Height(with Terminal)	279.5±2mm(11.0 inches)
Dry Weight		Approx 24.5Kg(54.0lbs)
Wet Weight		Approx 30.0Kg(66.1lbs)
Standard Terminal		M1
Plate type		tubular plate
Electrolyte type		Gel
Case		Cool Gray8C-Material
Cover		Cool Gray8C-Material
Handle		Cool Gray8C-Material

Standard Terminal (mm)



Cycle life in relation to depth of discharge



Electrical Specification

Rated Capacity	100 hour rate(2.15A)	215Ah
	5 hour rate(30A)	150Ah
Reserve Capacity	25Amps	375min