

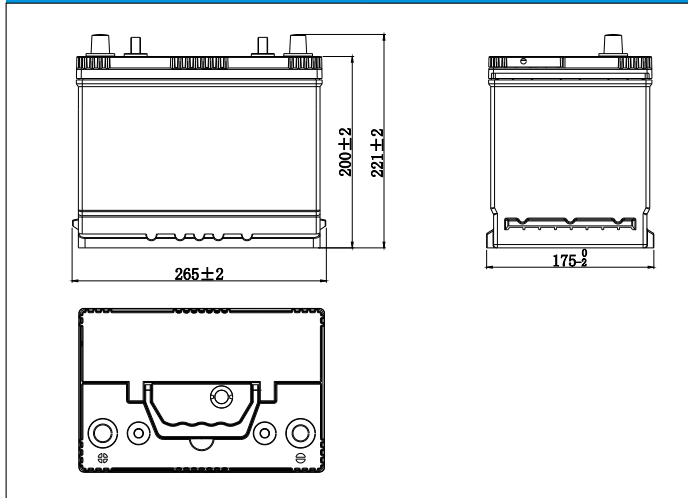


LEOCH®

SFL-85 [12V85Ah]



Dimensions (mm)



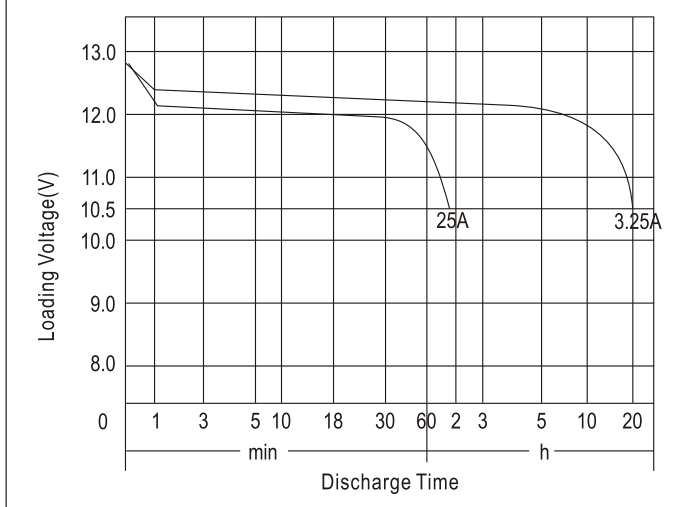
Physical Specification (mm)

Nominal Voltage		12V
Nominal Capacity (100HR)		85Ah
Dimension	Length	265 ± 2mm(10.43inches)
	Width	175 ± 2mm(6.89inches)
	Container Height	200 ± 2mm(7.87inches)
	Total Height(with Terminal)	221 ± 2mm(8.70inches)
Weight		Approx 17.0Kg(37.5lbs)
Acid		1.280 ± 0.015g/cm ³ (25°C)
Standard Terminal		12
Cell layout		1
Hold-Down		B9
Cell plate qty		/
Case		Black-PP Material
Cover		Black-PP Material
Handle		Black-Material
QTY/PLT/layer		

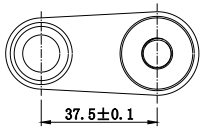
Electrical Specification

Rated Capacity	100 hour rate(3.25A)	85Ah
Reserve Capacity		108min
Cold Cranking Performance Amps@0°F(-18°C)		570A

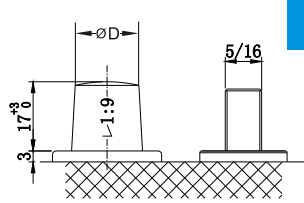
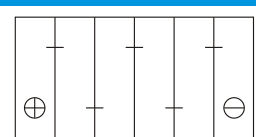
Discharge Characteristics(25°C,70°F)



Standard Terminal (mm)



Terminal Type	Terminal D	
	Positive	Negative
12	19.5 ⁰ _{-0.3}	17.9 ⁰ _{-0.3}

Figure(1)

Discharge Characteristics(-18°C,0°F)

