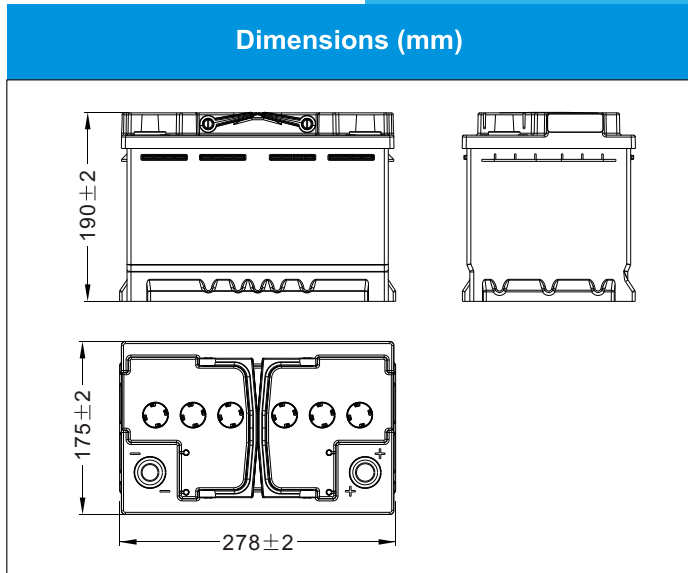




**XR-1520 (AGM-L2,12V70Ah)**

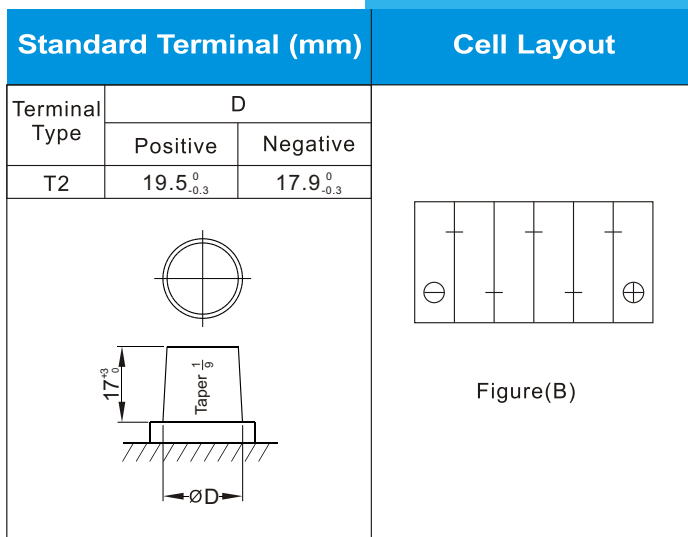


### Physical Specification (mm)

Nominal Voltage		12V
Nominal Capacity(20HR)		70Ah
Dimension	Length	278 ± 2mm(10.94inches)
	Width	175 ± 2mm(6.89inches)
	Container Height	190 ± 2mm(7.48inches)
	Total Height(with Terminal)	190 ± 2mm(7.48inches)
Weight		Approx 21.1Kg(46.5lbs)
Acid		1.30 ± 0.015g/cm <sup>3</sup> (25°C)
Standard Terminal		T2
Cell layout		B
Hold-Down		B3/B4
Cell plate qty		/
Case		Black-PP Material
Cover		Black-PP Material
Handle		Black-PP Material

### Electrical Specification

Rated Capacity	20 hour rate(3.5A)	70Ah
Reserve Capacity	120min	
Cold Cranking Performance Amps@0°F(-18°C)	760A	



### Discharge Characteristics(25°C,70°F)

